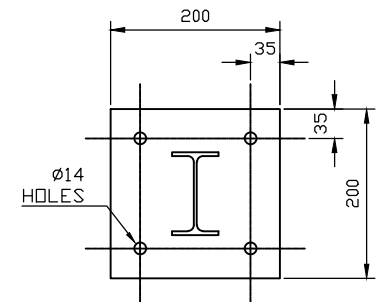
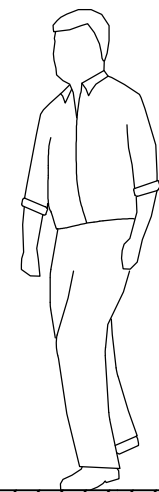


SECTION THRO. POST



BASEPLATE DETAIL
200 SQ. X 10 THICK

POSTS: 100 x 55 IPE
RAILS: 50x50 RSA
PALES: AS SPECIFIED



PARAMOUNT Steelfence

FLORIDA CLOSE, HOT LANE IND EST, BURSLEM,
STOKE ON TRENT, ST6 2DJ
TEL 01782 833333

FINISH

TITLE

CUSTOMER

DRG No