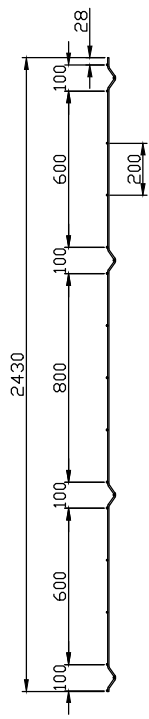
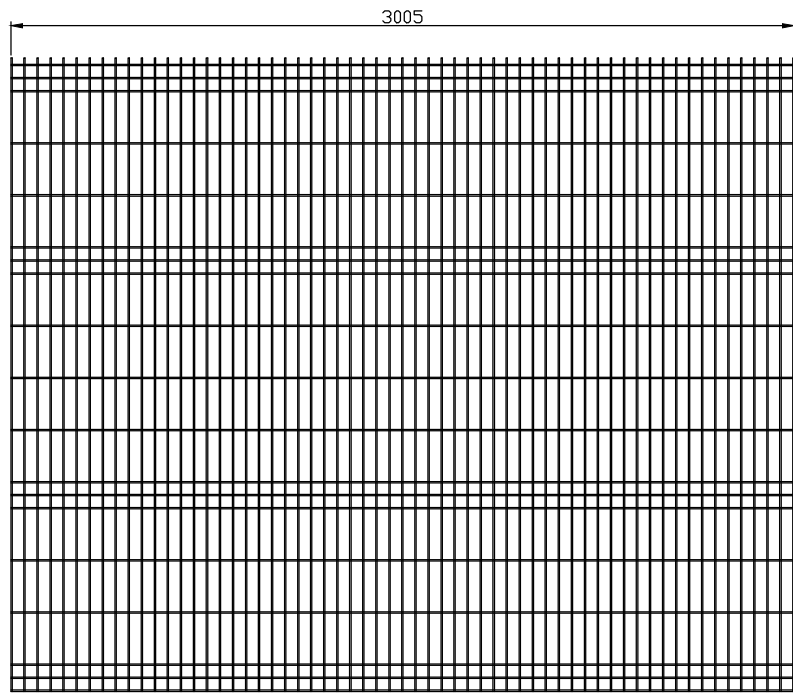


ELEVATION OF 2.43m POST
(SEVEN STANDARD FIXING POINTS)

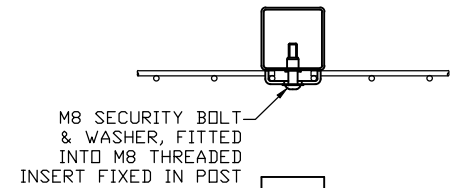
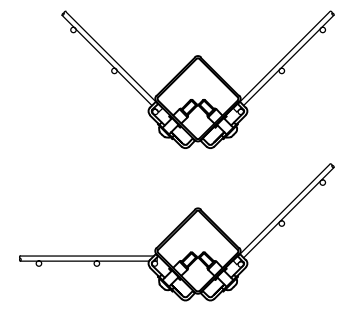
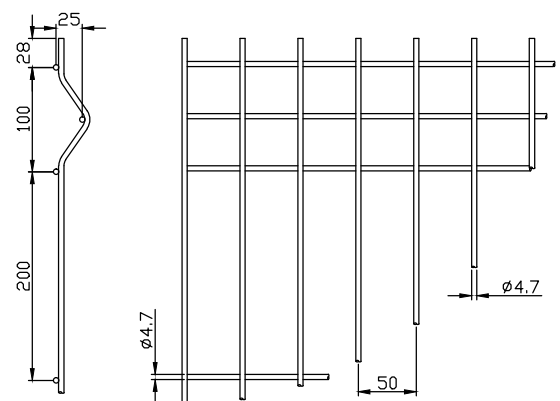
PARAMESH 3M



SECTION - 2.43m HIGH PANEL



ELEVATION - 2.43m HIGH PANEL



M8 SECURITY BOLT & WASHER, FITTED INTO M8 THREADED INSERT FIXED IN POST

PARAFIX BRACKET

POSTS HAVE ADDITIONAL 'STEPPING HOLES' AT TOP AND BOTTOM - ONLY USE IF REQ'D ON SLOPING GROUND

THIS PANEL SHOWN STEPPED DOWN 110mm



PARAMOUNT Steelfence
FLORIDA CLOSE, HOT LANE IND EST, BURSLEM,
STOKE ON TRENT, ST6 2DJ
TEL 01782 833333

FINISH

TITLE
CUSTOMER

DRG No